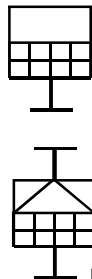


Obousm rná (bi-directional)

| Klasifikace (classification)   | Tída výbušnosti (explosion group) | Připojovací rozměr (Flange connection)            | Umístění (mode placing) | Hmotnost (Weight) |
|--|-----------------------------------|---|-------------------------|-------------------|
| Stabilní detonace s překážkou DET3 (stable detonation with restriction DET3) | IIB                               | - DN15/G1/2" (thread connection G1/2")<br>- CLAMP | Potrubní (in-line)      | (0,32 kg)         |

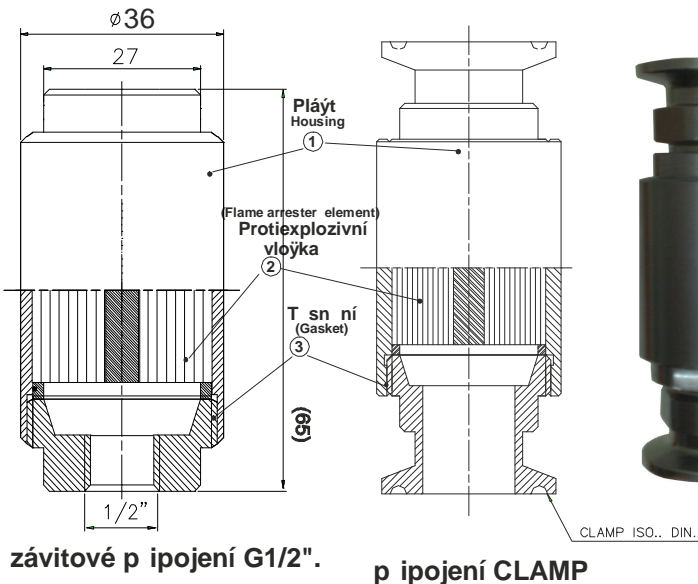
Standard design thread connection type DIN/ISO228, Other types upon request



### Pracovní podmínky (Limits for use: working condition)

|  |  |
|--|--|
| Teplota T <sub>0</sub> (Operational temperature T <sub>0</sub> )     | -20°C up to +60°C<br>-4°F up to +140 °F                                  |
| Tlak p <sub>0</sub> (Operational pressure p <sub>0</sub> - absolute) | 80 kPa up to 140 kPa<br>0,8 Bar up to 1,4 Bar<br>11,6 psi up to 20,3 psi |

Higher operating value upon request

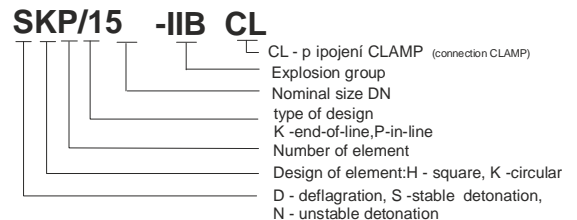


### Materiálové provedení (material selection)

| Standard design | ① Pláyt pojistky (brass)  | ② Protiexplozivní vložka (stainless steel - AISI 316L(Ti))  | ③ Tsn ní (loctite) |
|-----------------|---|---|--------------------|
| Special design  | stainless steel - AISI 304<br>- AISI 316L(Ti)<br>- Hastelloy<br>- Inconel | stainless steel - AISI 316L(Ti)<br>- Hastelloy<br>- Inconel | - loctite          |

Other materials upon request

### Coding of flame arrester.



Typov schváleno podle ATEX Directive 94/9/EC ,  
SN EN ISO 16852:2010 a dalších mezinárodních morem.

Type - approved according to ATEX Directive 94/9/EC and  
SN EN ISO 16852:2010 as well as other international standards

